

SNEED PACK

SNEED-PACK Mobile Top Down
Label Applicator



WWW.SNEEDCODING.COM | (833) 926-3464 | SUPPORT@SNEEDCODING.COM

Hey there,

Congrats on scoring your very own “SNEED-PACK label applicator!” We’re stoked that you’re now a part of our automation tribe. This manual is like your compass to navigate through all your new gear’s cool features and hacks. Feeling like a deep dive? Swing by and schedule a video chat with our tech pros - just zap that QR code. Or if it’s a quick fix you need, the other QR code will whisk you away to our online Help Desk faster than you can say, “Automate everything!” Thanks for choosing Sneed Coding - get ready to rock the world of automation with us!

Schedule a meeting with one of our technical service pros:



Visit our Help Desk:



Contents

- Safety Precautions 3
- Parameters 4
- Diagrams 5
 - The Applicator Assembly..... 5
 - Label Threading..... 6
- The Label Gap Sensor 6
- Teaching the sensor 7
- Set-up 8
 - The Sensor 8
 - Setting Teach Mode 9
 - Setting The Sensing Threshold..... 9
- Operating the User Interface..... 10
 - The main menu..... 10
 - Manual Operation 11
 - Parameters 11
 - I/O Monitor 12

Safety Precautions



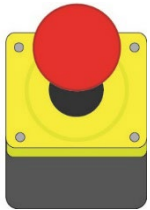
- ✿ Keep your hands clear of any moving parts while the equipment is in operation, and always power down prior to inspection. Failure to do so may cause bodily harm.



- ✿ Risk of electric shock, make sure the machine is properly grounded before use.



- ✿ Do not alter the mechanical or electrical systems. Any changes could result in malfunction or injury.



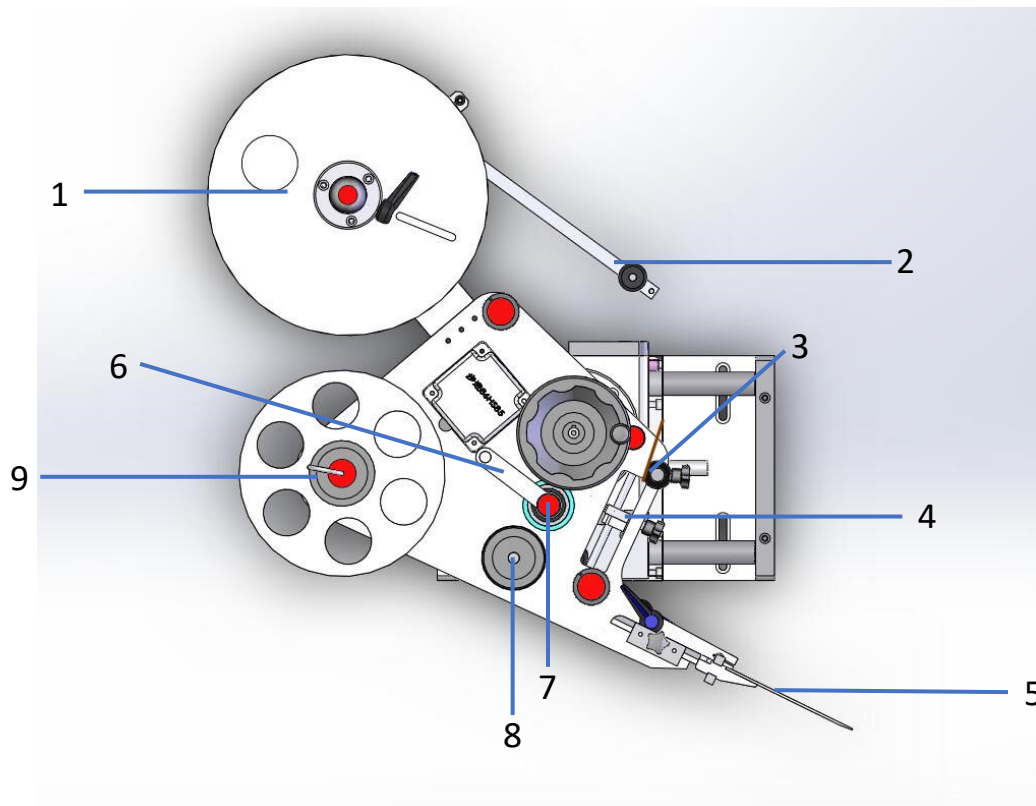
- ✿ Always turn off the power to the equipment before replacing any consumables.

Parameters

Labeling accuracy	≤ 1mm
Labeling speed	30-50 labels per/min
Equipment footprint	2200 x 1200 x 1700mm (L x W x H)
Power Supply	110 - 220V @ 50/60Hz
Weight	215Kg

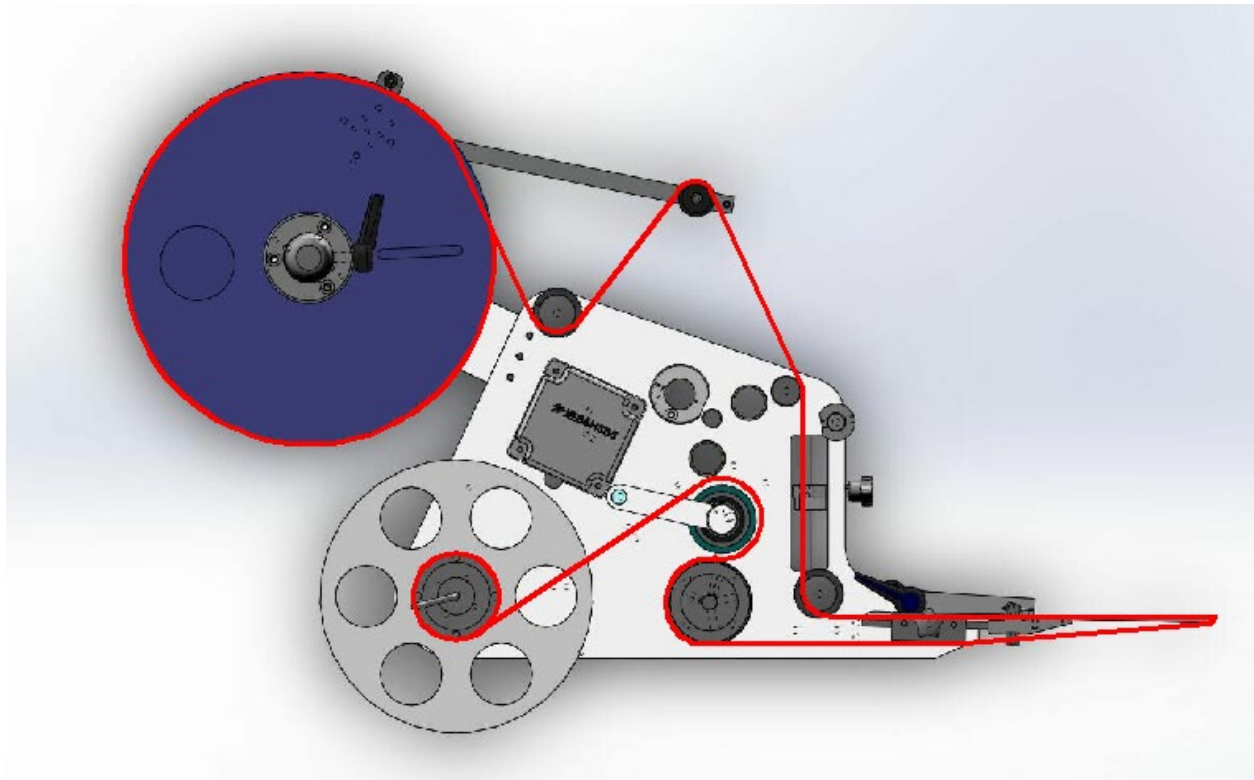
Diagrams

The Applicator Assembly



1. **Label tray:** Utilized to install the label roll (ensure the label tray is securely fastened when affixing labels)
2. **Tension lever/arm:** Employed for halting the label, preventing its loosening, and sustaining label tension (tension testing: Following label spinning, manually initiate the traction motor to move the label. As the swing rod descends, the label disc will autonomously rotate, indicating proper tension).
3. **Pressure plate:** Ensures the labels are pressed against the roller leading into the sensor tunnel.
4. **Gap label sensor:** Sends the trigger to the PLC, telling the friction puller to stop pulling the labels.
5. **Separator plate:** Separates the label from its backing.
6. **Cam handle:** Engage or dis-engage the belt-driven friction cam
7. **Driven friction roller:** pulls the label in conjunction with the secondary friction roller.
8. **Secondary friction roller**
9. **Label winder:** Winds the label backing.

Label Threading



The diagram indicates the correct path for threading the labels.

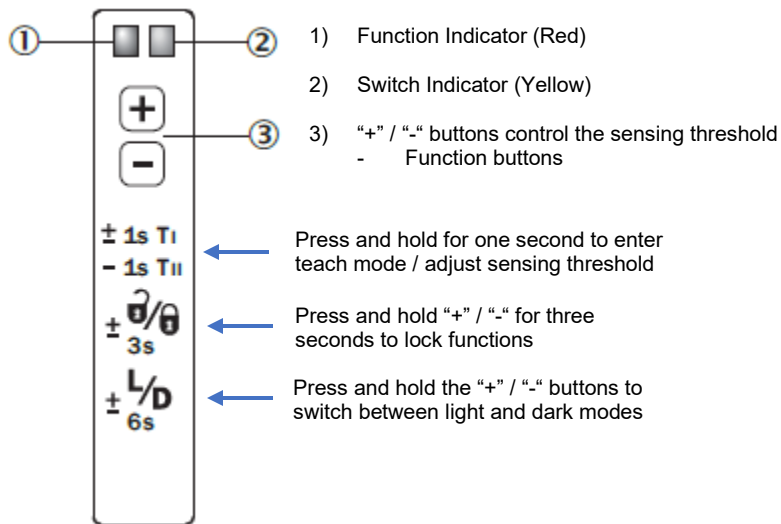
The Label Gap Sensor

The label applicator is equipped with an NPN style gap label sensor. It is used to set the labels stop timer.

Stop timer – controls the duration of the friction roller / label pull.

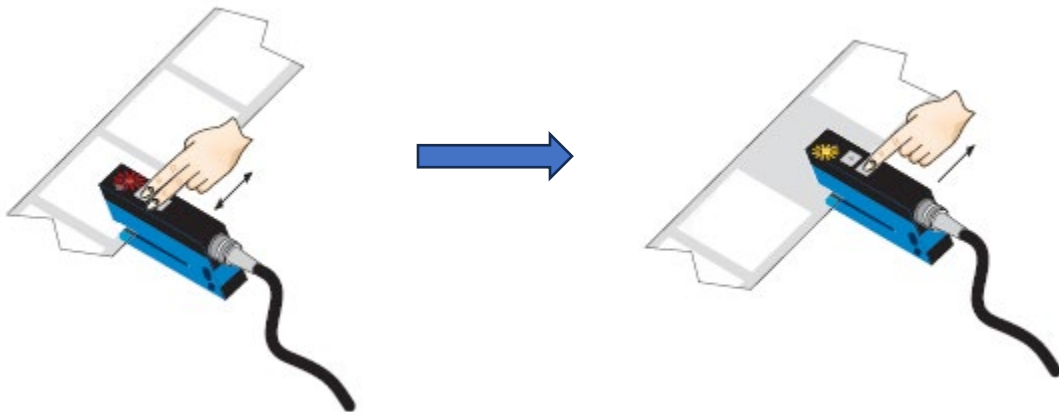


Teaching the sensor



Instructions

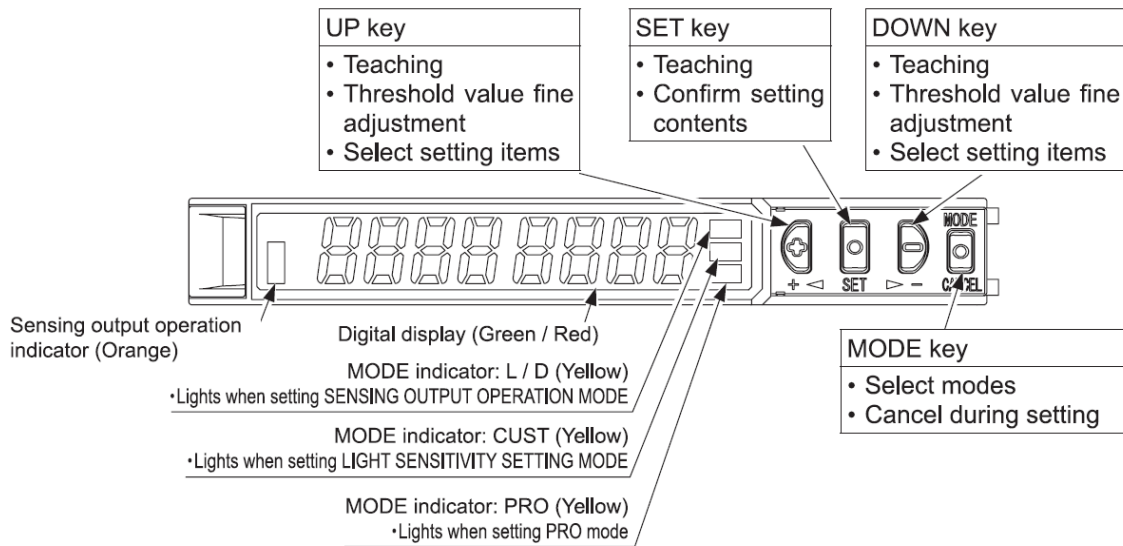
1. Position the label inside the sensing forks, then press and hold the "+" / "-" buttons for one second and release. The red function light will begin blinking.
2. Remove the label, and with the baking paper in the forks, press the "-" button one time. The yellow switching light should turn on, indicating a successful teaching.



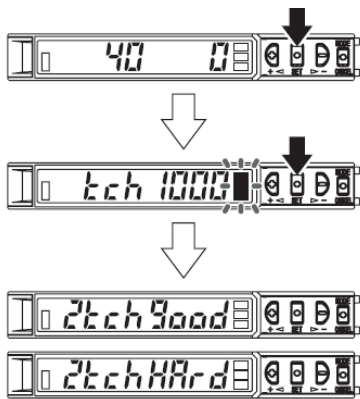
Set-up

The Sensor

The label applicator has a digital fiber sensor to detect bottles and trigger the label application.



Setting Teach Mode

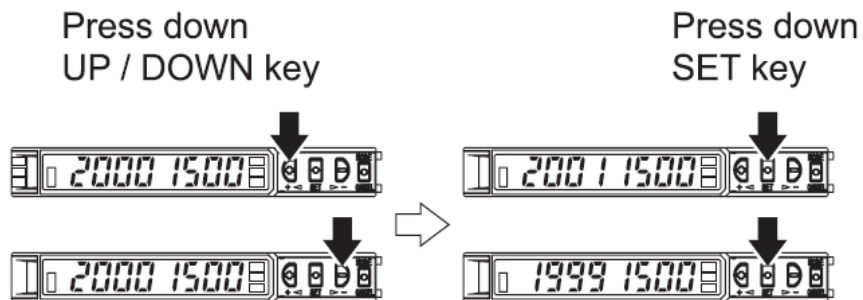


1. With the bottle PRESENT, press the SET key.
2. With the bottle ABSENT, press the SET key.
3. Indicates that stable sensing HAS been achieved.
4. Indicates that stable sensing HAS NOT been achieved.

If multiple attempts to teach the sensor have not been successful, the sensing threshold can be set manually.

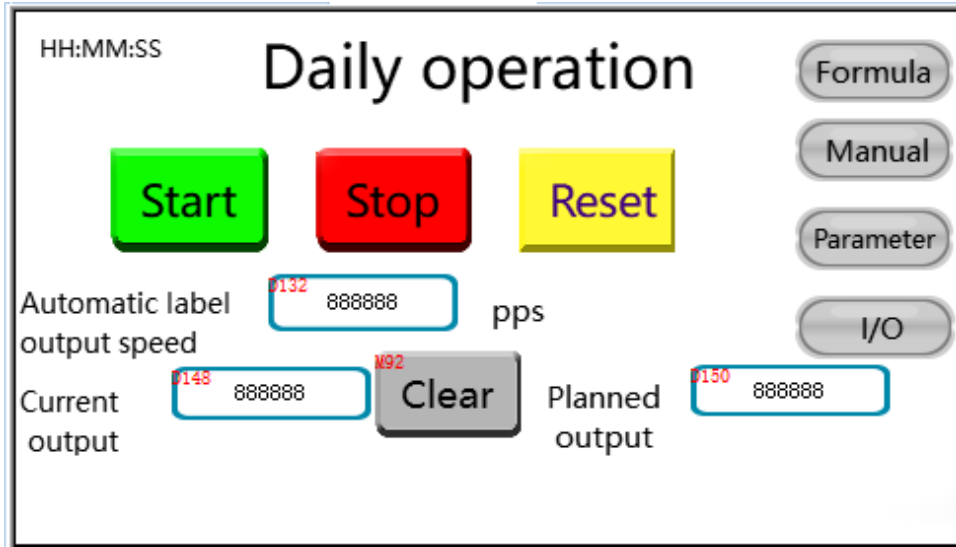
Setting The Sensing Threshold

To set the sensing threshold, use the arrow keys to increase or decrease the value. Once you have achieved consistent stable sensing, press the set key to confirm the setting.



Operating the User Interface

The main menu

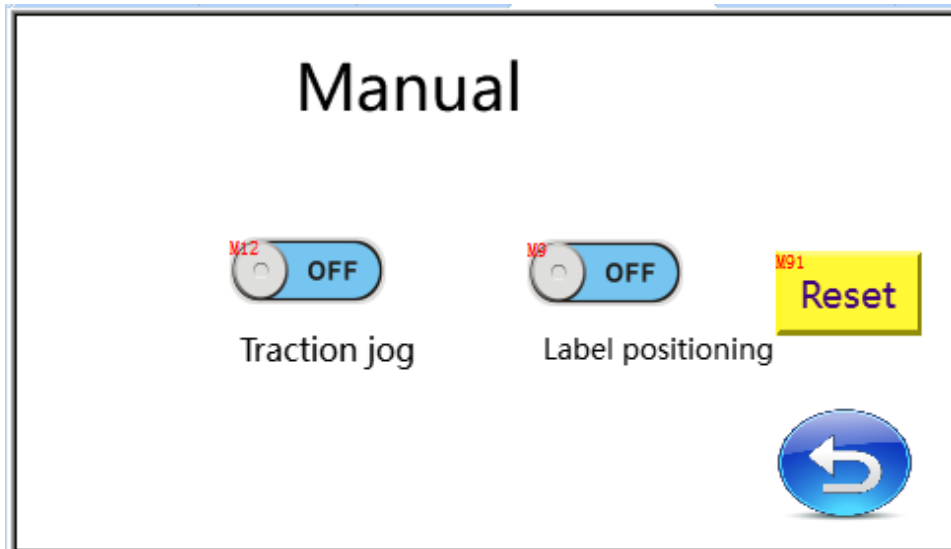


1. Start – press to enable standard operation.
2. Stop – stops standard operation.
3. Reset – Press to reset any triggered alarms.
4. Automatic Label Output Speed – set the speed at which the label is applied. The Speed of the motorized friction roller
5. Current Output – a counter of labels applied.
6. Planned Output – Stop Counter - The label applicator will stop applying when this number is reached.

- Formula** - Save a list of package specific settings.
- Manual** - Manual engage individual mechanical operations during periods of none use. (This feature will not work when the labeler is in standard operation)
- Parameter** - Advanced user settings
- I/O** - Monitoring screen.

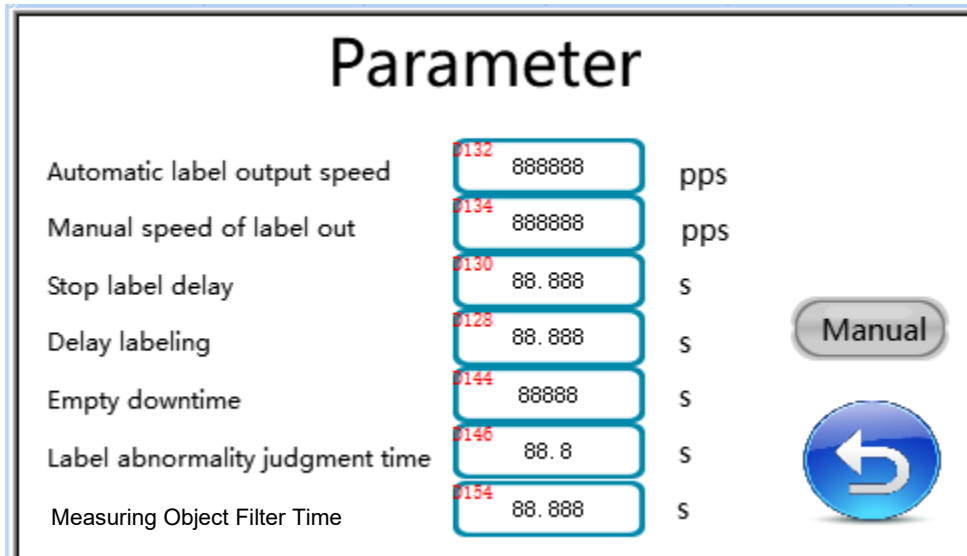
Manual Operation

The settings in this menu will only work when the labeler is set to “STOP.”



1. Traction Jog – Hold the button to manually engage the traction roller.
2. Label Positioning – Press to eject a single label.

Parameters



1. Automatic Label Output Speed – The speed of the friction roller / label application during standard operation.
2. Manual Speed of label out – The speed of the friction roller / label application during manual operation.
3. Stop Label Delay – The label stop timer, The amount of time after the label gap sensor is triggered before the label application stops. This number is different for each different sized label applied. Use the “Formula” screen to save your settings.

4. Delay Labeling – delay the start of label application after the product sensor is triggered.
5. Empty Downtime – set a downtime alarm timer.
6. Label Abnormality Judgment Time – set a timer to trigger an alarm when an operational issue occurs. For example, the label sensor is not triggered if the labels tear or jam.
7. Measuring Object Filter time – allows you to set a threshold timer to ignore subsequent print triggers after a product passes the product sensor. This is useful for products that trigger the sensor more than once. Ex: highly reflective packaging.
- 8.

I/O Monitor

The I/O screen is used to monitor the operation of individual components. A red light indicates the sensor or alarm is activated.

