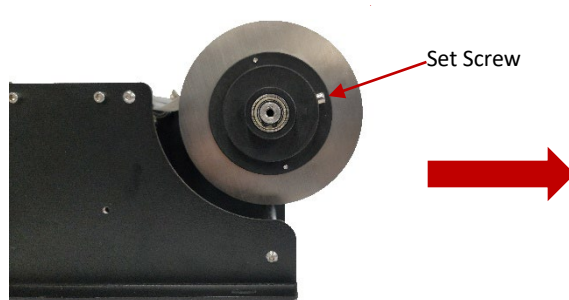


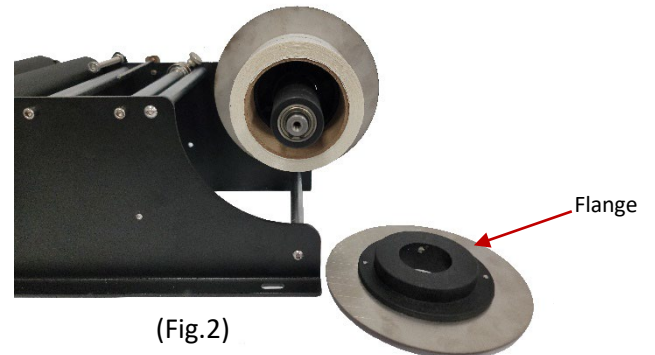
SNEED-PACK ZLA-ML1 Bottle Label Applicator

Thank you for your purchase of the SNEED-PACK ZLA-ML1 label applicator. This guide will walk you through the initial setup and operation of your new label applicator.

1. Loosen the set screw and remove the flange
2. Affix the labels onto the reel and use the set screw to securely fasten the flange to the reel.

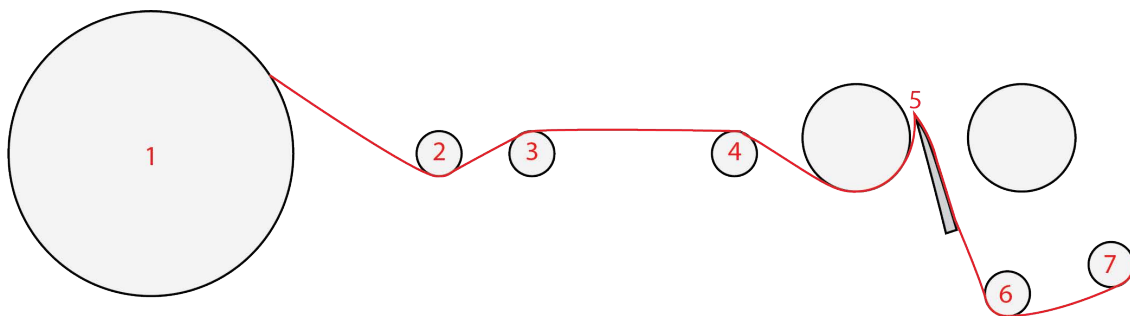


(Fig.1)



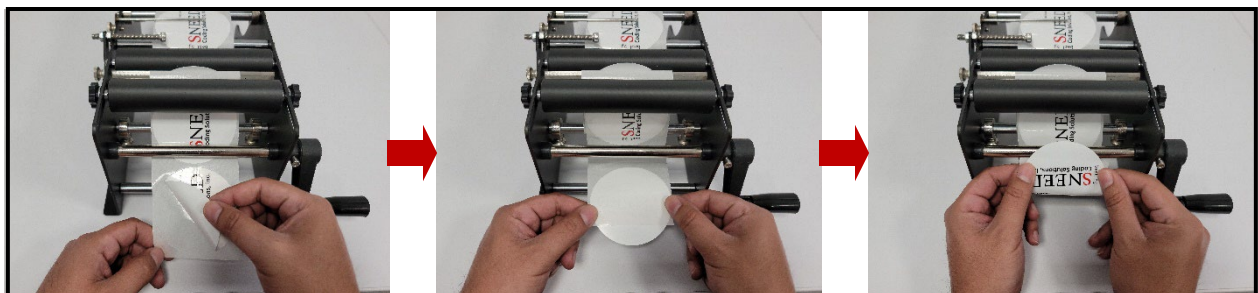
(Fig.2)

3. Use the diagram in (Fig.3) and thread the labels.



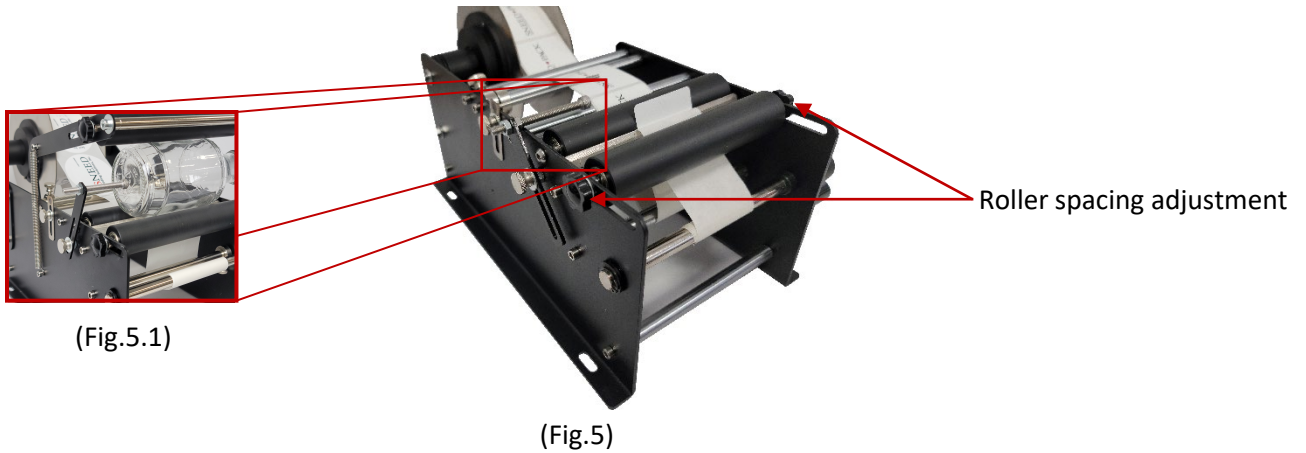
(Fig.3)

4. Attach the roll to the handle end by peeling off the first label and sticking it to the label backing. Use the label to attach the roll to the handle and turn it until taut.



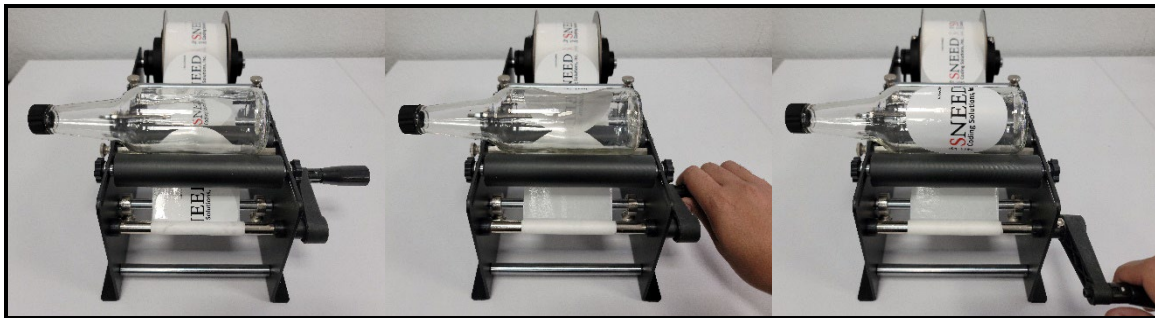
(Fig.4)

5. Loosen tension Knob visible in Figure 5 and adjust the spacing between the rollers to provide a secure resting position for the bottle.



6. Utilize the bottle guide shown in Figure 5.1 to guarantee the bottle's stability and consistent positioning.

7. Place the bottle onto the rollers and rotate the handle to affix a label.



For Technical support please visit us on our help desk at (<https://help.sneedcoding.com/>)



At the Sneed Coding help desk you can access a wealth of technical documentation and instructional videos on all of our products. Whether you prefer to chat with one of our seasoned pros or schedule a video meeting with a specialist, we are here and eager to assist you in any way we can!