

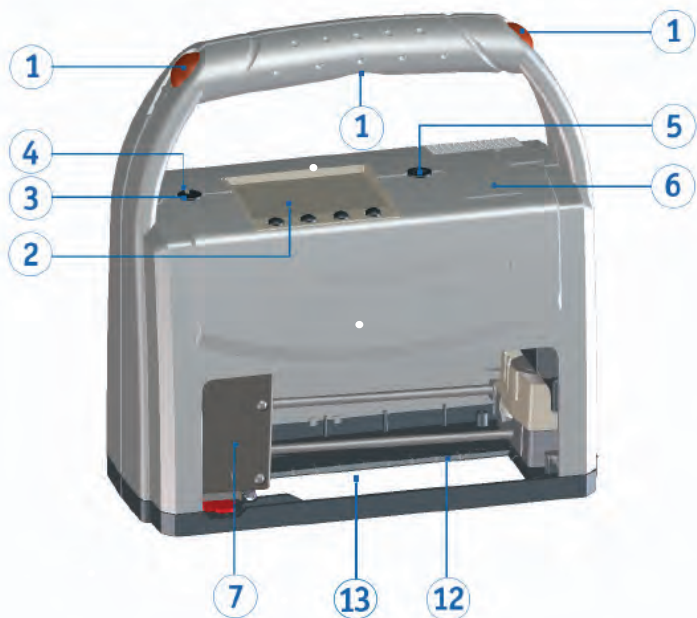
## *jetStamp 1025*



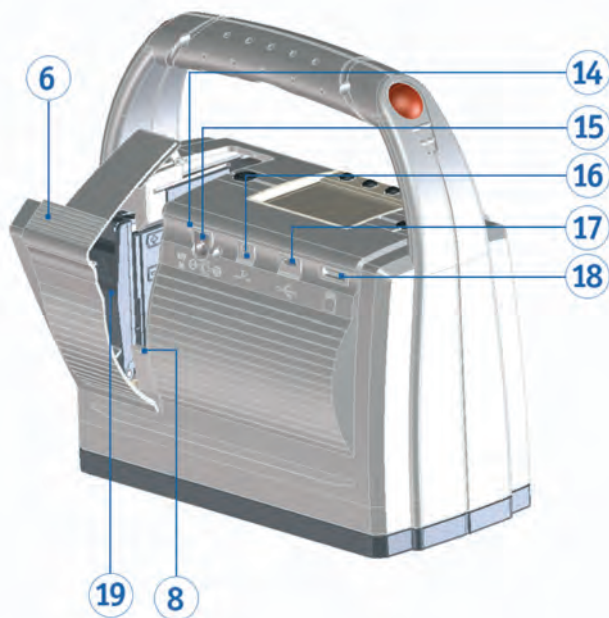
Short instruction

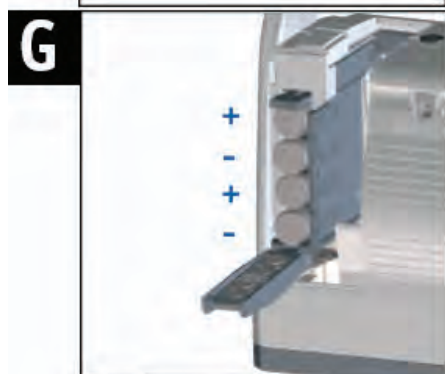
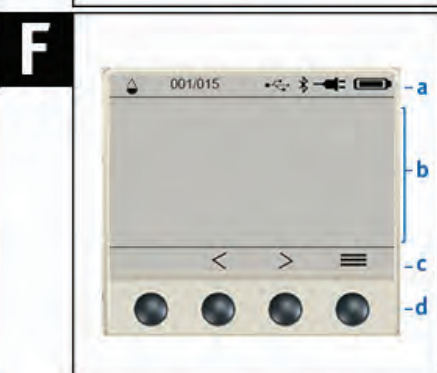
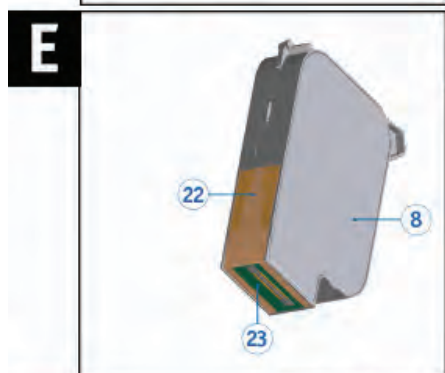
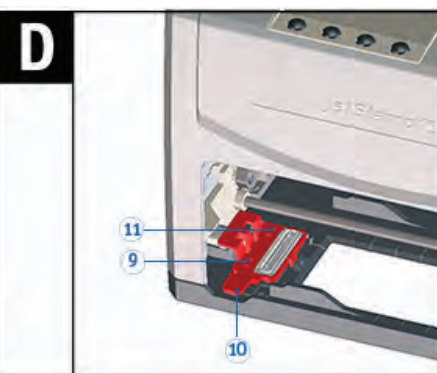
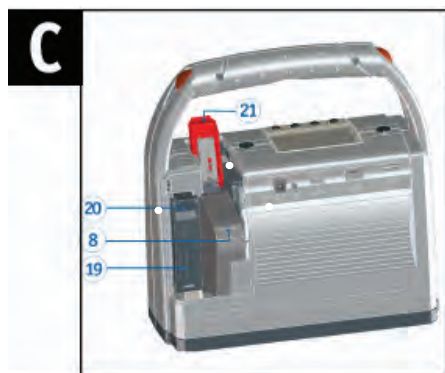
EN

**A**



**B**





## Operating elements

- |  |                                       |
|--|---------------------------------------|
| ① Trigger button                               | ⑫ Indicators of print position        |
| ② Display                                      | ⑬ Print area                          |
| ③ On/Off button                                | ⑭ Charging indicator                  |
| ④ Operating status LED                         | ⑮ Connection socket for mains adapter |
| ⑤ Function key for print cartridge             | ⑯ Jack socket for external trigger    |
| ⑥ Flap for battery print cartridge compartment | ⑰ Micro USB socket                    |
| ⑦ Print carriage                               | ⑱ SD card slot                        |
| ⑧ Print cartridge                              | ⑲ Battery compartment                 |
| ⑨ Seal   | ⑳ Locking battery compartment         |
| ⑩ Seal retaining clip                          | ㉑ Locking print cartridge             |
| ⑪ Seal tip                                     | ㉒ Print cartridge contacts            |
|  | ㉓ Nozzles print cartridge             |

## Display and Buttons ⇒ Fig. F

- |    |             |  |
|----|-------------|--|
| ≡  | Home        | <b>a</b> Header with the number of the set imprint |
| <> | Scrolling   | <b>b</b> Set imprint                               |
| ^v |             | <b>c</b> Menu bar with menu items and commands     |
| ↶  | Back button | <b>d</b> Four pushbuttons                          |
| ✓  | Select      |  |

**i** The display depends on the respective menu context. The starting screen of the main menu is displayed.

**i** For the setting **functions** (see “Online help of the PCset graphic software”).

- ▶ To activate Bluetooth, press the home button ≡, select Bluetooth < >, set active ✓ and confirm ✓ (see “Online help for the PCset graphic software”).

## Important Notes

Before commissioning of the *jetStamp 1025*, always read the operating instructions and in particular the safety notes with care. This prevents mistakes in handling of the marking device and connected safety risks to keep you safe and avoid damage to the device.



Detailed operating instructions and further information can be found in the online help of the PCset graphic software or on the enclosed USB stick.

## Safety Notes



**⚠ WARNING** Possible blinding in case of contact with ink and eyes.

- ▶ Never hold the *jetStamp 1025* with its nozzles pointing at the face of persons!

**⚠ CAUTION** Possible tripping and damage to the device from device lines placed freely in the room. Place the device lines so that they do not pose any danger source!

Health risks if ink is swallowed.

- ▶ Don't swallow! Keep cartridge out of the reach of children!

**NOTICE** Damage to the device due to improper transport. Only use packaging that provides protection from impact and shock to the device!

Damage to the device by moisture.

- ▶ Before commissioning, wait until device has reached room temperature and is completely dry!

## Safety Notes on Rechargeable Batteries

Rechargeable batteries are subject to wear. A longer service life than six months cannot be warranted.

**⚠ WARNING** Possible explosion at contact with fire.

- ▶ Do not forcefully open rechargeable batteries. Do not expose rechargeable batteries to severe heat. Do not expose rechargeable batteries to extremely low barometric pressures.

**⚠ CAUTION** Injuries from destruction of rechargeable battery jacket when using unsuitable rechargeable batteries or non-rechargeable batteries.

- ▶ Use only rechargeable batteries intended for the device! Only use the supplied AC adapter to charge the batteries. Only use rechargeable batteries type nickel metal hydride (NiMH), REINER item number: 946 192 - 000) of build AA. Always replace all flat rechargeable batteries at once. Unauthorized batteries may cause damage or malfunction. Observe polarity of batteries when inserting, see symbols or Fig. **G!**

## Disposal



### Defective or flat batteries

Flat batteries of rechargeable batteries must not be disposed of in the household waste.



### Electrical and electronic waste devices

Waste devices must not be disposed of in the conventional household waste. They must be returned to a special collection point for recycling of electrical and electronic devices.

# 1. Preparation and Taking into Operation

## 1.1. Commissioning

**i** The rechargeable batteries must be charged completely before the first use. The charging time is approx. 3 hours. The rechargeable batteries are charged when the green charge display **14** goes out.

Only connect the device to the PC after the PCset graphic software has been installed, otherwise the installation of the device drivers will fail!

### Inserting rechargeable batteries ⇒ Fig. **B + C + G**

Always replace all rechargeable batteries at once. Date, time and counter reading of the numbering machine are retained when the rechargeable batteries are removed.

- ▶ Open the flap for battery and print cartridge compartment **6**.
- ▶ Push battery compartment locking **20** upwards until the locking can be opened.
- ▶ Open battery compartment **19**, ensure correct polarity and insert batteries.
- ▶ Close battery compartment **19**.
- ▶ Close flap for battery and print cartridge compartment **6**.

### Charge the rechargeable batteries ⇒ Fig. **B**

- ▶ Connect the power supply unit of the device to the socket for power supply unit **15**. Green charging indicator **14** is lit. The charging process is completed as soon as the charging indicator goes out.

### Inserting printing cartridge ⇒ Fig. **B + E + C**

**i** Depending on ink type used, different Protective Nozzle Seals are required.

**i** Use sealing of the enclosed printing cartridge.

- ▶ Switch the unit on via the ON/OFF button **3**.  
The operating status LED **4** lights up green.
- ▶ Press function key for print cartridge **5**. Print carriage **7** moves to the right into the change position.
- ▶ Open flap for battery and print cartridge compartment **6**.
- ▶ Push the print cartridge locking **21** slightly upwards and open it.
- ▶ Remove the print cartridge **8** from the packaging and remove the dust cover (see operating instructions for the print cartridge P5).
- ▶ Place the unit on a firm surface.
- ▶ Hold pressure cartridge locking **21** in place.

- ▶ Insert print cartridge ⑧. Make sure that it snaps into place and close the locking of the pressure cartridge ⑫.
- ▶ Close flap for battery and print cartridge ⑥.
- ▶ Install a new seal ⑨ into the device, holding the retaining clip of the seal in place ⑩.
- ▶ Insert seal tip ⑪ into the notch.
- ▶ Press the seal ⑨ slightly down until it snaps into place in the holder.
- ▶ Press function key for print cartridge ⑤. Print carriage ⑦ returns to the basic position.

**i** The change position can also be controlled via the display.

## 1.2. Install PCset graphic Software

Installation is only possible with administrator rights on the computer.

- ▶ Insert installation medium (USB stick or CD) in your PC.
- ▶ If the installation programme does not start up automatically, start the file “**setup.exe**”.
- ▶ Observe the installation programme instructions.

## 1.3. Firmware update

The most up to date firmware for the *jetStamp 1025* can be downloaded from the REINER website ([www.reiner.de](http://www.reiner.de)).

## 1.4. Recognising and Removing Interferences

For more information, see the online help of the PCset graphic software, or the enclosed USB.

## Contact

### Ernst Reiner GmbH & Co. KG

Baumannstr. 16  
78120 Furtwangen/Germany  
Phone: +49 7723 657-0  
Email: [reiner@reiner.de](mailto:reiner@reiner.de)  
[www.reiner.de](http://www.reiner.de)

© 2020 Ernst Reiner GmbH & Co. KG

All rights reserved. Translation, reprint and other reproduction of these operating instructions, even in parts and no matter the form, shall require our express written consent. We reserve the right to make content changes to these operating instructions without notice.



**REINER**

[www.reiner.de](http://www.reiner.de)

